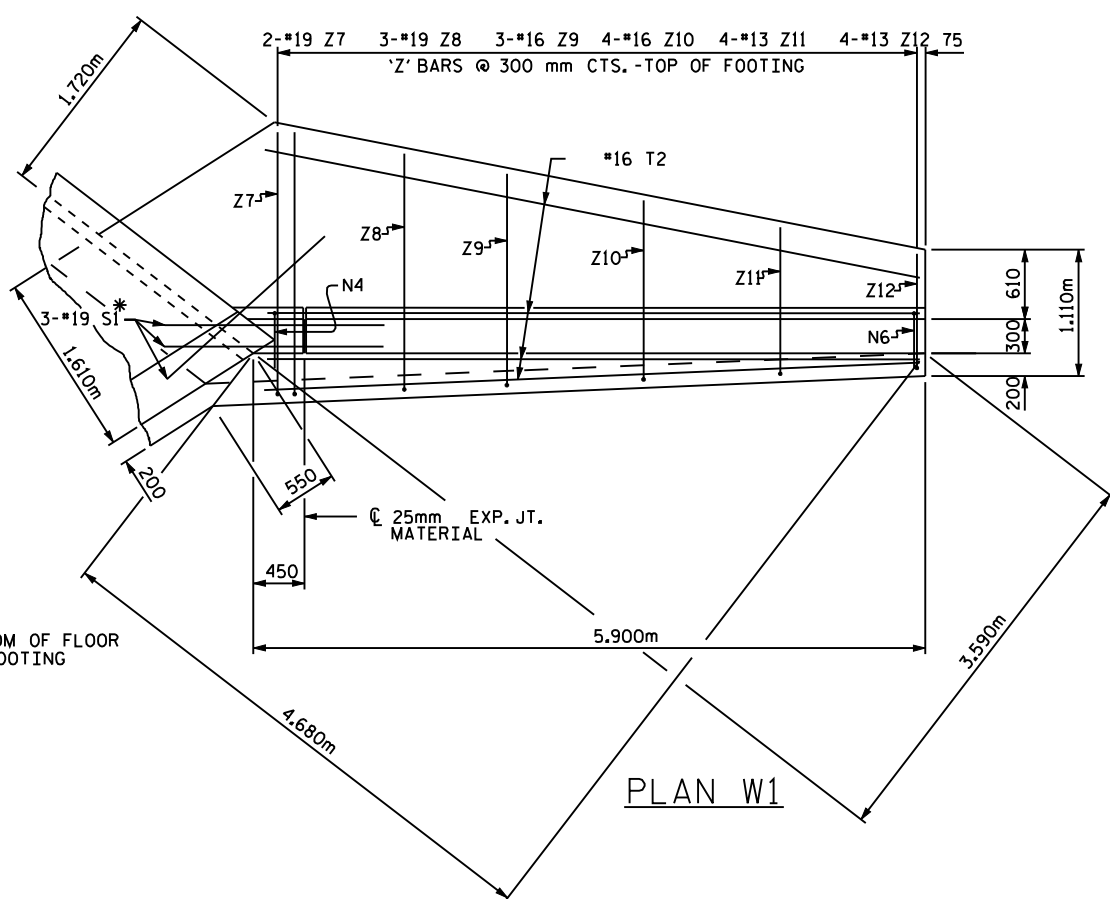
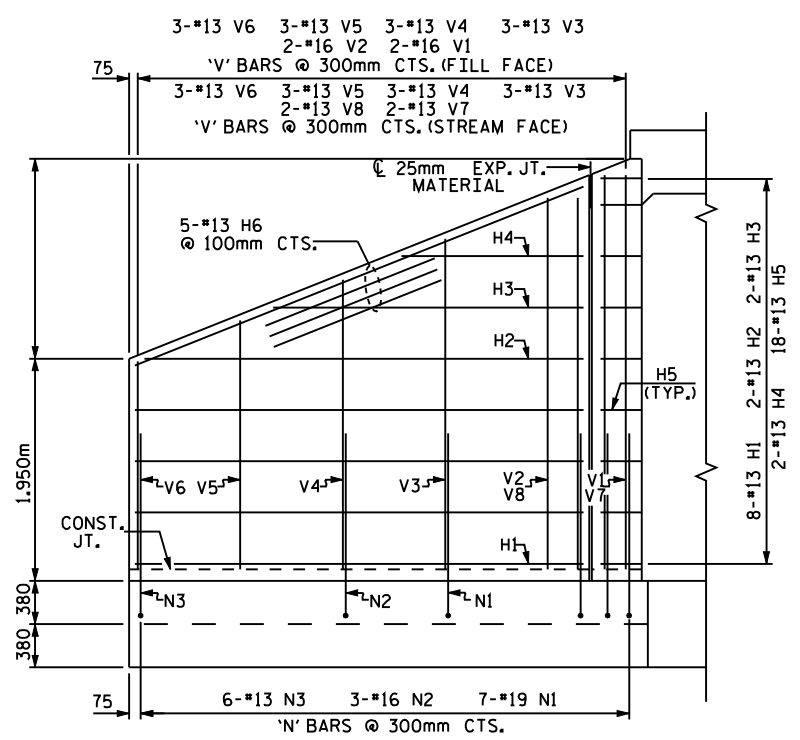


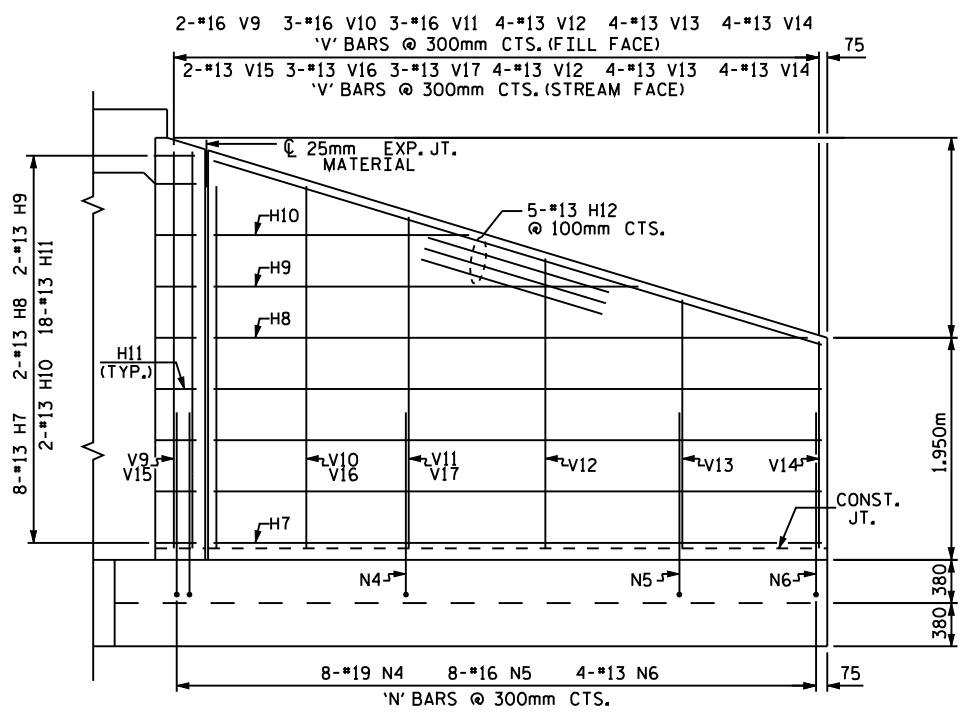
PLAN W2



PLAN W1



ELEVATION W2

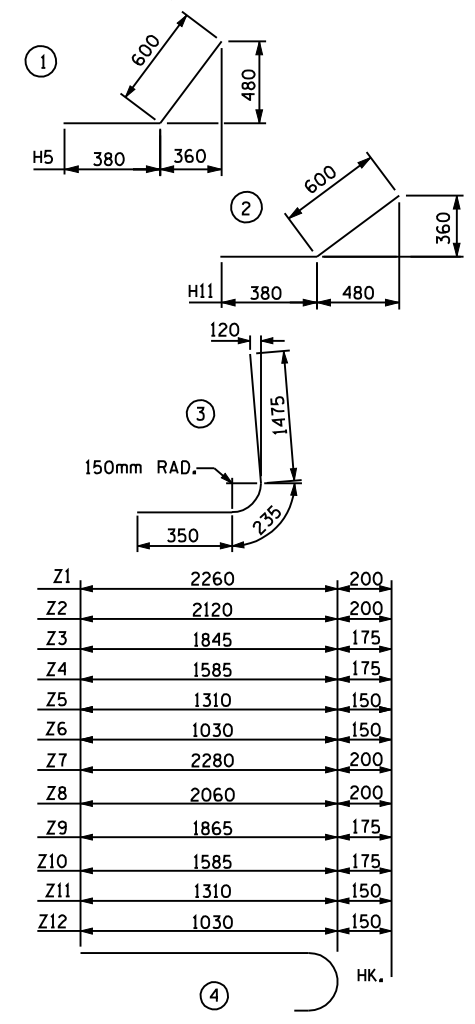


ELEVATION W1

FOR WING ORIENTATION, SEE BARREL STANDARD SHEET.

BAR TYPES

ALL BAR DIMENSIONS ARE OUT TO OUT.



Z1	2260	200
Z2	2120	200
Z3	1845	175
Z4	1585	175
Z5	1310	150
Z6	1030	150
Z7	2280	200
Z8	2060	200
Z9	1865	175
Z10	1585	175
Z11	1310	150
Z12	1030	150

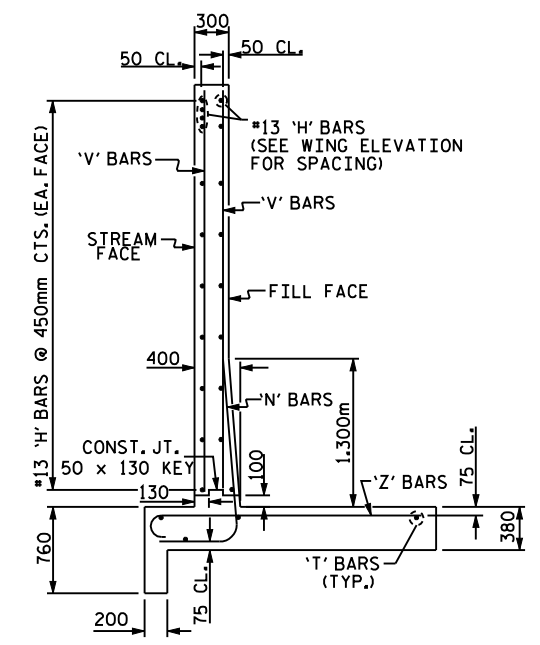
BILL OF MATERIAL

BAR NO.	SIZE	TYPE	LENGTH	WEIGHT	
H1	16	13	STR	3940	63
H2	4	13	STR	3860	15
H3	4	13	STR	2720	11
H4	4	13	STR	1600	6
H5	36	13	1	980	35
H6	10	13	STR	4220	42
H7	16	13	STR	5340	85
H8	4	13	STR	5260	21
H9	4	13	STR	3780	15
H10	4	13	STR	2300	9
H11	36	13	2	980	35
H12	10	13	STR	5560	55
N1	14	19	3	2060	64
N2	6	16	3	2060	19
N3	12	13	3	2060	25
N4	16	19	3	2060	74
N5	16	16	3	2060	51
N6	8	13	3	2060	16
S1	12	19	STR	1800	48
T1	8	16	STR	4500	56
T2	8	16	STR	5900	73
V1	4	16	STR	3440	21
V2	4	16	STR	3260	20
V3	12	13	STR	2900	34
V4	12	13	STR	2540	30
V5	12	13	STR	2180	26
V6	12	13	STR	1820	22
V7	4	13	STR	3440	14
V8	4	13	STR	3260	13
V9	4	16	STR	3460	21
V10	6	16	STR	3180	30
V11	6	16	STR	2920	27
V12	16	13	STR	2540	40
V13	16	13	STR	2180	34
V14	16	13	STR	1820	28
V15	4	13	STR	3460	14
V16	6	13	STR	3180	19
V17	6	13	STR	2920	17
Z1	4	19	4	2460	22
Z2	4	19	4	2320	21
Z3	6	16	4	2020	19
Z4	6	16	4	1760	16
Z5	6	13	4	1460	9
Z6	6	13	4	1180	7
Z7	4	19	4	2480	22
Z8	6	19	4	2260	30
Z9	6	16	4	2040	19
Z10	8	16	4	1760	22
Z11	8	13	4	1460	12
Z12	8	13	4	1180	9

REINFORCING STEEL FOR 4 WINGS 1436 kg

CLASS A CONCRETE

4 WINGS	36.2	m ³
2 HEADWALLS		m ³
2 END CURTAIN WALLS		m ³
TOTAL		m ³



TYPICAL WING SECTION

PROJECT NO. _____
 _____ COUNTY
 STATION: _____

SHEET OF _____
 STATE OF NORTH CAROLINA
 DEPARTMENT OF TRANSPORTATION
 RALEIGH
 STANDARD WINGS
 FOR
 CONCRETE BOX CULVERT
 H = 3.400m SLOPE = 2 : 1
 75° OR 105° SKEW

ASSEMBLED BY :	DATE :
CHECKED BY :	DATE :
DRAWN BY : FPP 06/97	
CHECKED BY : VAP 07/97	

REVISIONS					SHEET NO.
NO.	BY:	DATE:	NO.	BY:	DATE:
1			3		
2			4		